



# Multi-Sided Gas Series

Direct Vent & B-Vent Series

36" Peninsula model shown with Simon front and Fireside Furnishings™ Catalina cap and green granite

**heatilator**<sup>®</sup>  
*The first name in fireplaces*



36" Corner model shown with Simon front and end panel and Fireside Furnishings™ New Venetian Gold granite

*Exceptional Value*

*Dependable*

# Heatilator® Multi-Sided Series: the Possibilities are Unlimited!

- Clean, louverless design
- Choice of corner, peninsula and see-through configurations
- Available in direct vent or B-vent versions
- Extensive choice of decorative fronts, surrounds, granite and marble finishing materials
- Two-toned painted refractory
- Optional fan for direct vent models
- Modulating flame control with variable BTU/Hour input and flame height: 25,900 to 37,000 BTU/hour input for 36" models; 14,700 to 21,000 BTU/hour input for 31" model
- Available with revolutionary IntelliFire™ ignition system
- Certified for installation in bedrooms; direct vent models also certified for mobile homes
- Direct vent models preserve Indoor Air Quality (IAQ) and provide efficient zone heating
- Heater listed to ANSI Z21.88 standards (DV models)



31" See-through model shown with Portfolio front

## IntelliFire™

- Eliminates a standing pilot, reducing fuel consumption, saving money and being environmentally friendly
- Dependable in a power outage with battery backup



36" See-through model shown with Craftsman front and custom surround



36" Peninsula model shown with Harbor front and end panel

# Multi-Sided Gas Series

## Models Available\*

Configuration	Viewing Width	Venting System
31" See-through	31"	Direct Vent
36" See-through	36"	Direct or B-Vent
36" Left or Right Corner	36"	DirectVent
36" Peninsula	36"	Direct or B-Vent

## Options\*

Salem, Portfolio and Simon fronts fit the 31" See-through model



Salem Front  
(black & bronze)



Portfolio Front  
(black & bronze)



Simon Front  
(black) (available in 31" and 36")

Phoenix and Harbor doors, and Craftsman and Simon fronts fit the 36" models



Phoenix Operable Door  
(black, pewter & bronze)



Harbor Operable Door  
(black, pewter & bronze)



Craftsman Front  
(black & bronze)

## Options Not Pictured\*

Remote Controls and Wall Switches  
Fan Kit (direct vent only)  
Gas Conversion Kits  
Mantels and Surrounds

## Venting

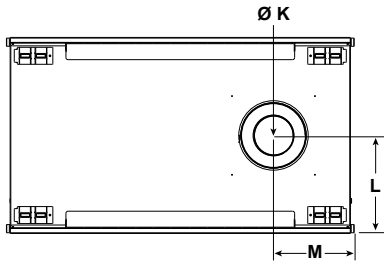
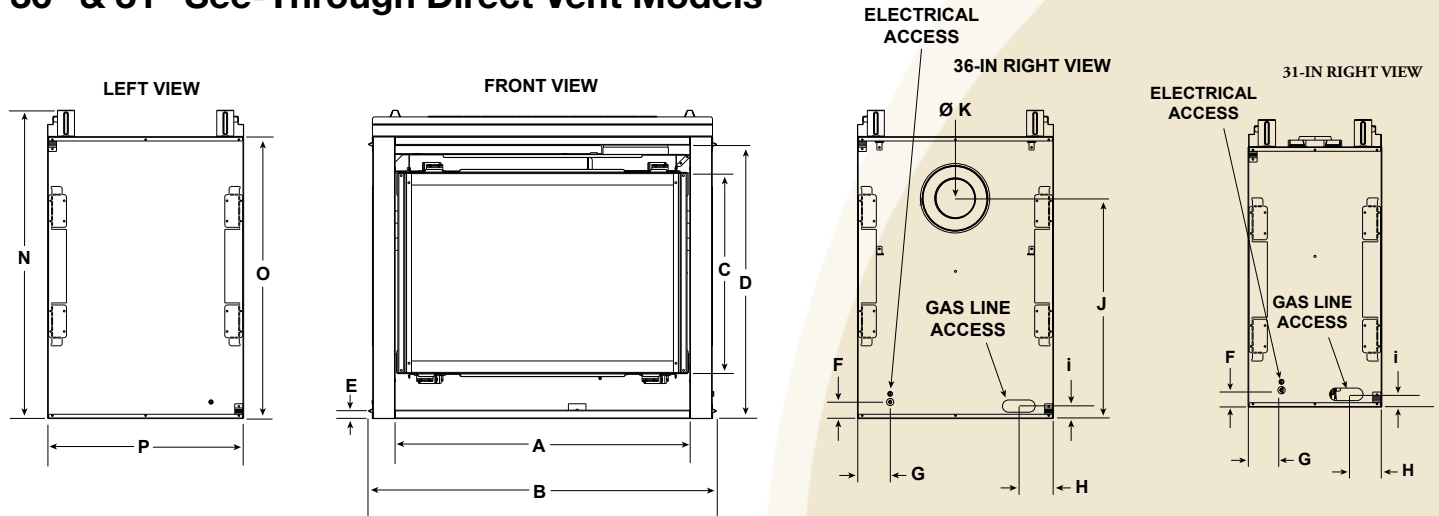
Direct Vent: DVP & SLP Series pipe  
B-Vent: 5" B-vent pipe

\*Please consult the MSRP book for a complete list of models and optional accessories

# Multi-Sided Series

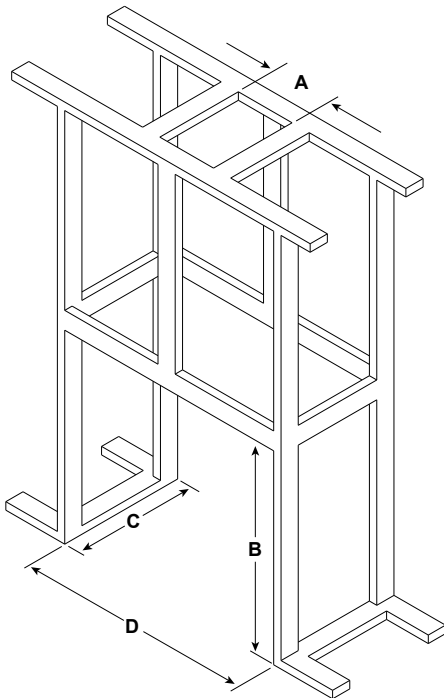
## Technical Specifications

### 36" & 31" See-Through Direct Vent Models



PRODUCT DIMENSIONS					
Location	36" model	31" model	Location	36" model	31" model
A	36	31-1/8	I	1-1/2	1-1/2
B	42-1/2	37-5/8	J	27	N/A
C	24-1/8	21	K	8	N/A
D	33-1/2	30-1/4	L	12	8
E	1	1	M	9-3/8	8-3/4
F	2-1/8	2-1/8	N	38	34-1/2
G	4-1/8	4-1/8	O	34-5/8	31-3/4
H	4-1/4	4-1/4	P	24	16

### 36" & 31" See-Through Framing

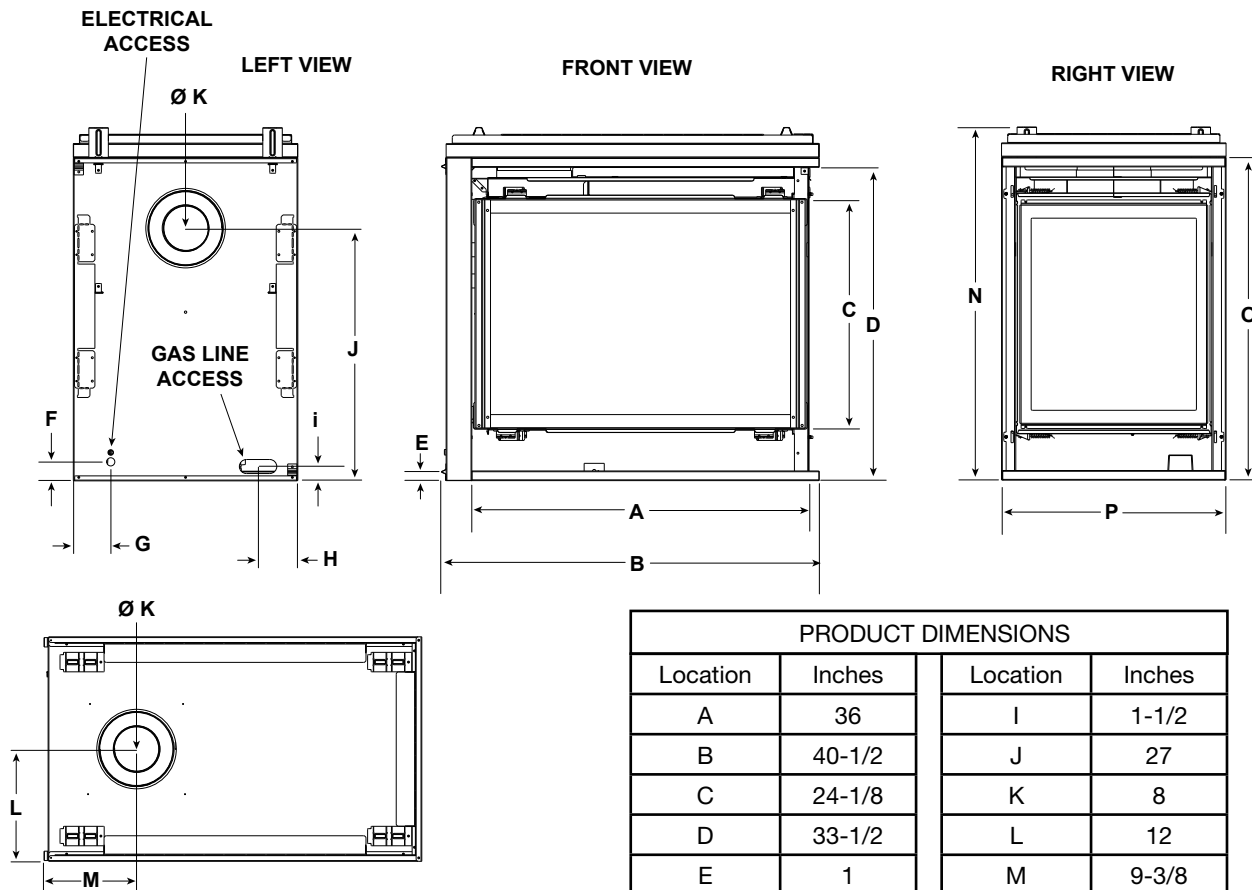


FRAMING DIMENSIONS							
Model	A			B	C*		D
	DVP Pipe	SL Pipe	B-Vent Pipe	Rough Opening (Height)	DVP Pipe	B-Vent Pipe	Rough Opening (Width)
	Rough Opening (Width)	Rough Opening (Width)	Rough Opening (Width)		Rough Opening (Depth)	Rough Opening (Depth)	
GDST4336I	10	8-5/8	--	38-3/4	23	--	43
GBST4336I	--	--	7	38-1/2	--	23	43
GDST3831I	--	8-5/8	--	34-3/4	15	--	38-1/8

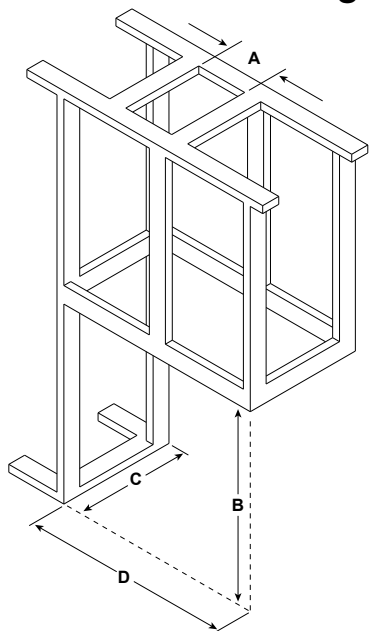
\*Adjust framing dimensions for interior sheathing (such as sheetrock)

All dimensions in inches. The rough framing dimensions shown represent the distance from stud to stud only and do not take into consideration the addition of drywall. Please refer to installation instructions for complete specifications and drawings when installing this product. Visit [www.heatilator.com](http://www.heatilator.com) to download.

## 36" Peninsula Direct Vent Models



## 36" Peninsula Framing



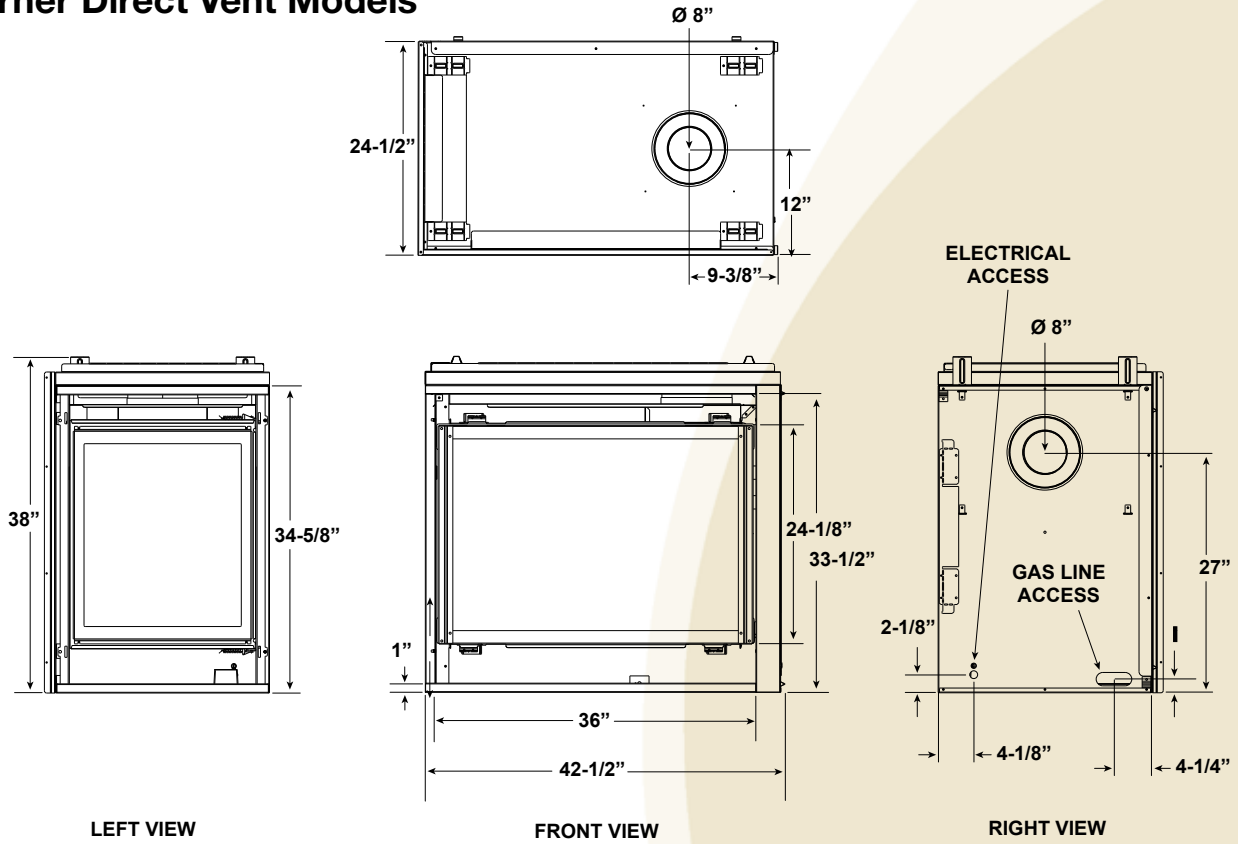
Models	FRAMING DIMENSIONS						
	A			B	C*		D
	DVP Pipe	SL Pipe	B-Vent Pipe	Rough Opening (Height)	DVP Pipe	B-Vent Pipe	Rough Opening (Width)
	Rough Opening (Width)	Rough Opening (Width)	Rough Opening (Width)		Rough Opening (Depth)	Rough Opening (Depth)	
GDFL4136I	10	8-5/8	--	38-3/4	23	--	41
GBFL4136I	--	--	**	38-1/2	--	23	41

\* Adjust framing dimensions for interior sheathing (such as sheetrock)

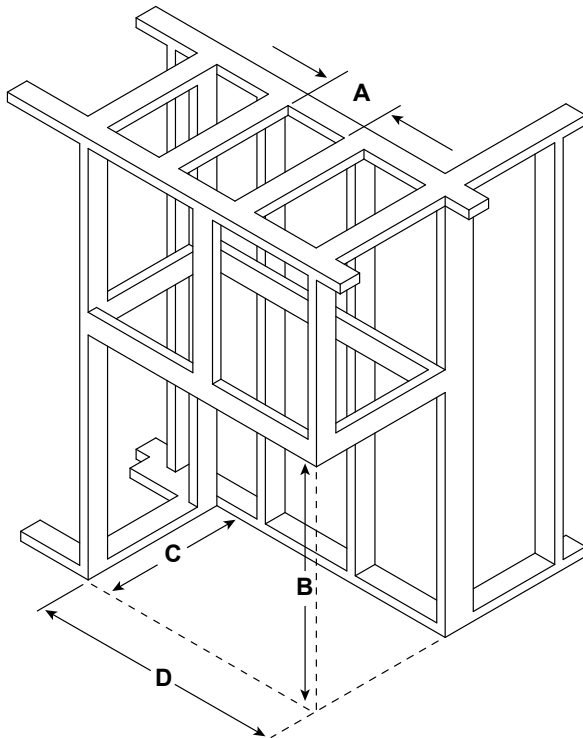
\*\*See pipe manufacturer's installation instructions

The rough framing dimensions shown represent the distance from stud to stud only and do not take into consideration the addition of drywall. Please refer to installation instructions for complete specifications and drawings when installing this product. Visit [www.heatilator.com](http://www.heatilator.com) to download.

## 36" Corner Direct Vent Models



## 36" Corner Framing



PRODUCT DIMENSIONS			
Location	Inches	Location	Inches
A	36	I	1-1/2
B	42-1/2	J	27
C	24-1/8	K	8
D	33-1/2	L	12
E	1	M	9-3/8
F	2-1/8	N	24-1/2
G	4-1/8	O	38
H	4-1/4	P	34-5/8

FRAMING DIMENSIONS					
	A		B	C*	D
	DVP Pipe	SL Pipe	Rough Opening (Height)	DVP Pipe	Rough Opening (Width)
GDCL4136I GDCR4136I	Rough Opening (Width)	Rough Opening (Width)	Rough Opening (Depth)	Rough Opening (Depth)	Rough Opening (Width)
Inches	10	8-5/8	38-3/4	24	41

\*Adjust framing dimensions for interior sheathing (such as sheetrock)

The rough framing dimensions shown represent the distance from stud to stud only and do not take into consideration the addition of drywall. Please refer to installation instructions for complete specifications and drawings when installing this product. Visit [www.heatilator.com](http://www.heatilator.com) to download.

# Who Would Benefit From Heatilator Multi-Sided Gas Fireplace Series?

## Home Owners:

- Who want their fireplace to provide a dramatic design statement in their home
- Who need a functional room divider to define living areas in their home
- Who want to preserve positive indoor air quality for their family (DV models)
- Who want warmth without waste through energy efficient zone heating (DV models with IntelliFire)
- Who want to increase the resale value of their home

## Home Builders:

- Who want a dramatic focal point to make their home design more appealing to homebuyers
- Who need a functional room divider in key design areas such as the owner's suite, or separating living and dining spaces
- Who want to provide their customers with fireplaces approved by all major Green building programs (DV models)
- Who want to increase the energy efficiency performance of their homes (DV models with IntelliFire)
- Who want to increase their customer's satisfaction with multiple finish styles and colors

AVAILABLE FROM

**heatilator**<sup>®</sup>  
*The first name in fireplaces*

*a brand of Hearth & Home Technologies Inc.*

**1915 West Saunders Street  
Mt. Pleasant, Iowa 52641**

**800-927-6841 • [heatilator.com](http://heatilator.com)**

The information provided in this literature is for planning purposes only and subject to change. Please consult the installation manual for actual installation. Actual product appearance may differ from product images. The flame and ember appearance may vary based on the type of fuel burned and venting configuration used. For full warranty details, go to [heatilator.com](http://heatilator.com).

\*Please consult the MSRP book for a complete list of models and optional accessories.